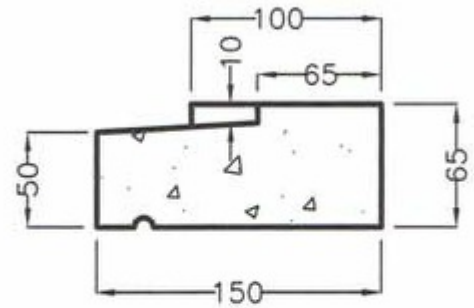


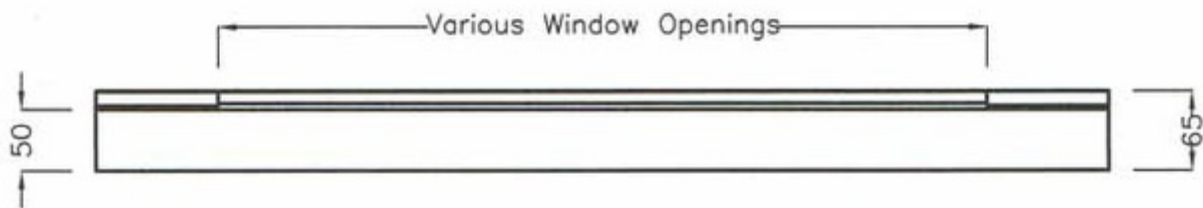
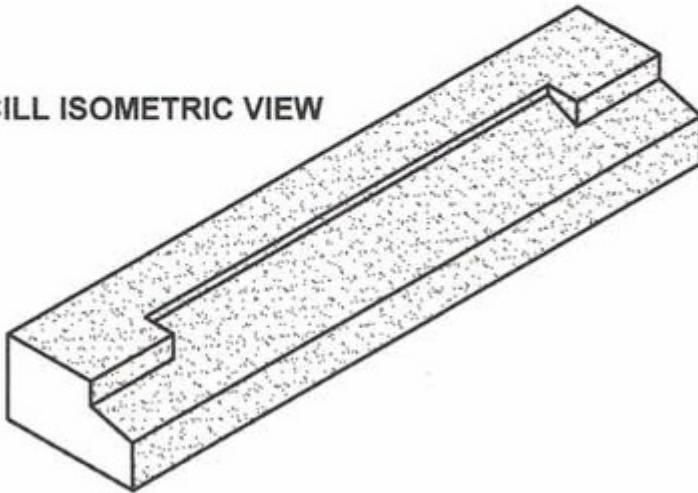
Description: Standard Stooled Cill

A selection of various window opening sizes are Available from standard moulds. Bespoke sizes can be produced on request. All sizes shown are in mm.

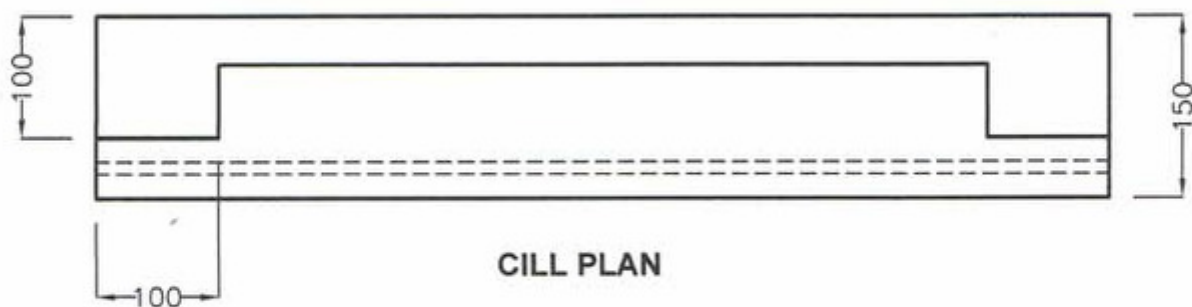


CILL PROFILE

CILL ISOMETRIC VIEW



CILL ELEVATION



CILL PLAN

Technical Sheet
SBD/C4


Stone by Design
Supreme Manufacturers of High Quality Cast Stone
Unit 12 Driedley Industrial Park, Driedley Park Close
Sutton in Ashfield, Nottingham,
NG11 3JZ,
01334 22055
Enquiries@stonebydesign.co.uk