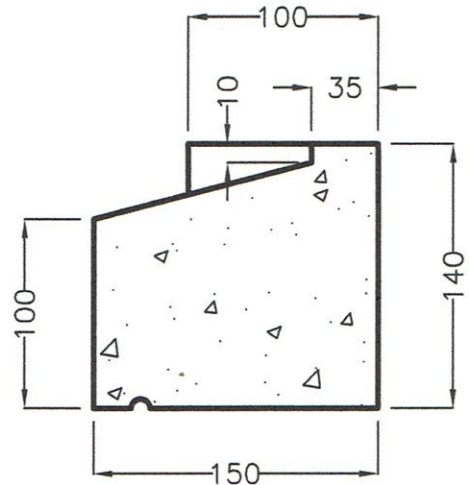
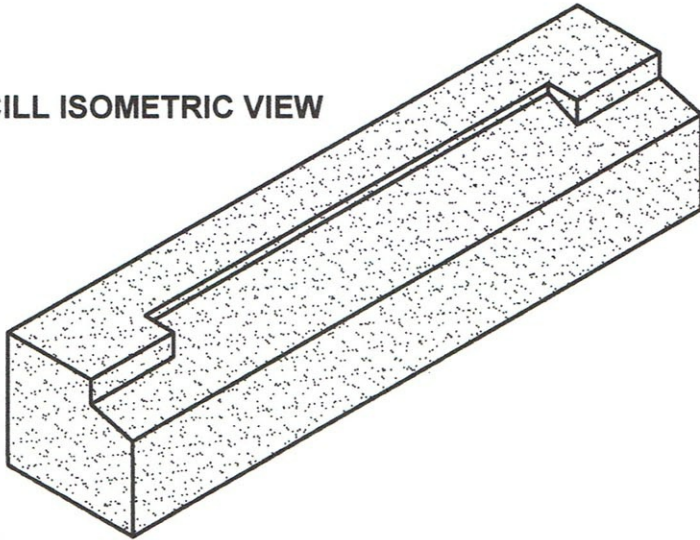


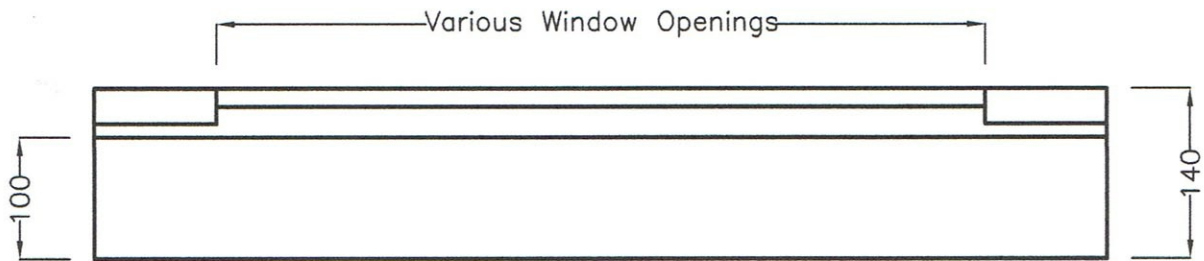
Description: Standard Stooled Cill

A selection of various window opening sizes are available from standard moulds. Bespoke sizes can be produced on request. All sizes shown are in mm.

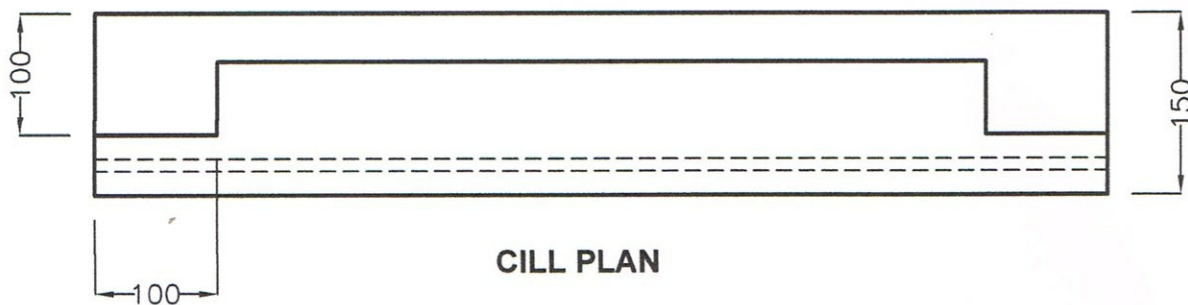
CILL ISOMETRIC VIEW



CILL PROFILE



CILL ELEVATION



CILL PLAN

Technical Sheet
SBD/C3


Stone by Design
Supreme Manufacturers of High Quality Cast Stone

Unit 12 Brierley Industrial Park, Brierley Park Close
Sutton-in-Ashfield, Nottingham,
NG17 3JZ
01623 442 095
Enquiries@stonebydesign.co.uk