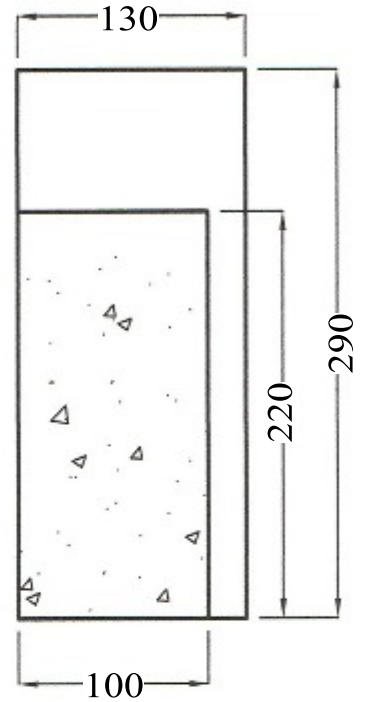
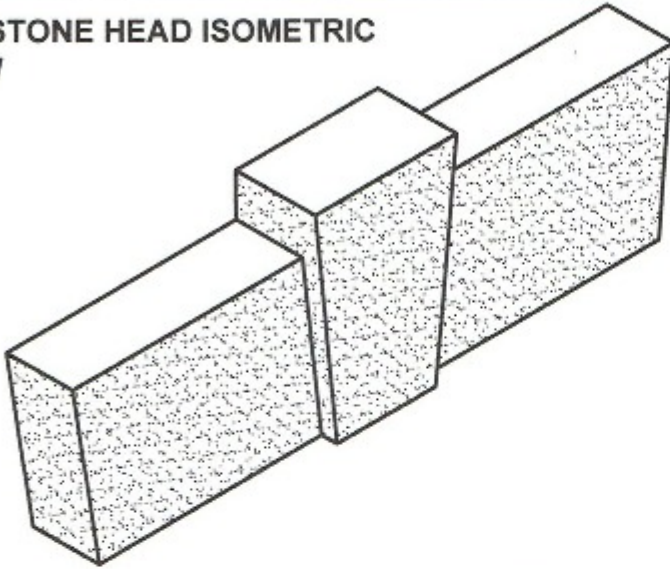


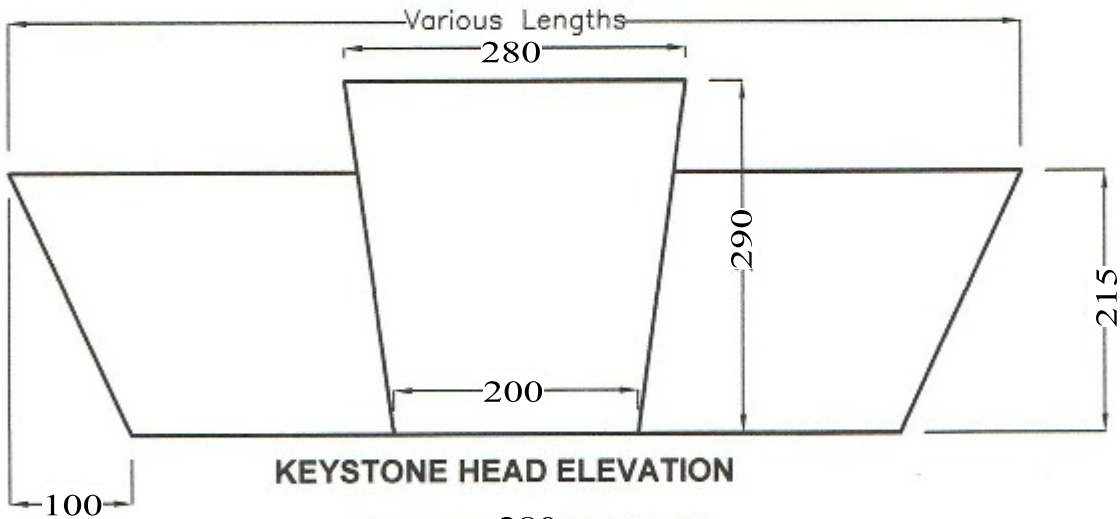
# Description: Splayed Heads with Keystone

Heads can be produced from standard moulds up to 1400mm in length.  
Other Bespoke lengths can be produced upon request.  
All sizes shown are in MM.

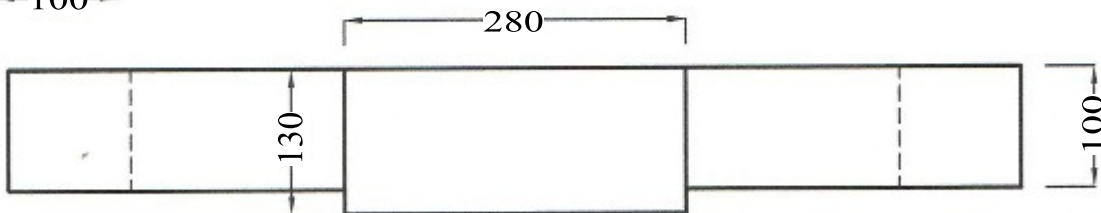
**KEYSTONE HEAD ISOMETRIC VIEW**



**HEAD PROFILE**



**KEYSTONE HEAD ELEVATION**



**KEYSTONE HEAD PLAN**

**Technical Sheet**  
**SBD/DH5**



*Stone by Design*

*Supreme Manufacturers of High Quality Cast Stone*

Unit 12 Brierley Industrial Park, Brierley Park Close  
Sutton-in-Ashfield, Nottingham,  
NG17 3JZ  
01623 442 095  
Enquiries@stonebydesign.co.uk