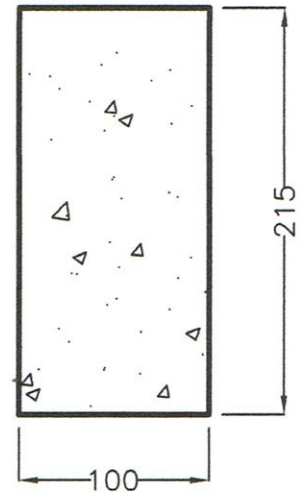
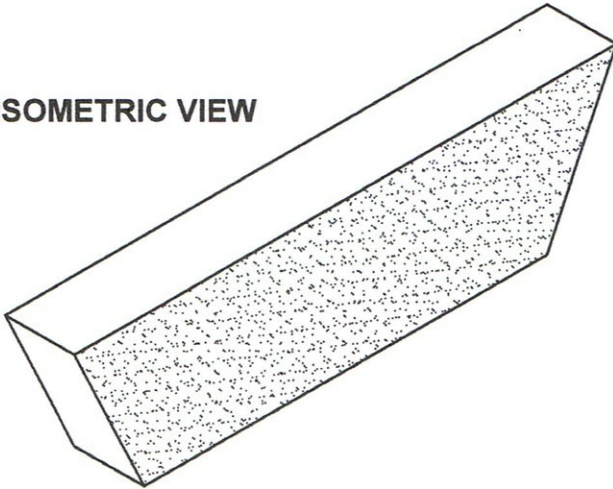


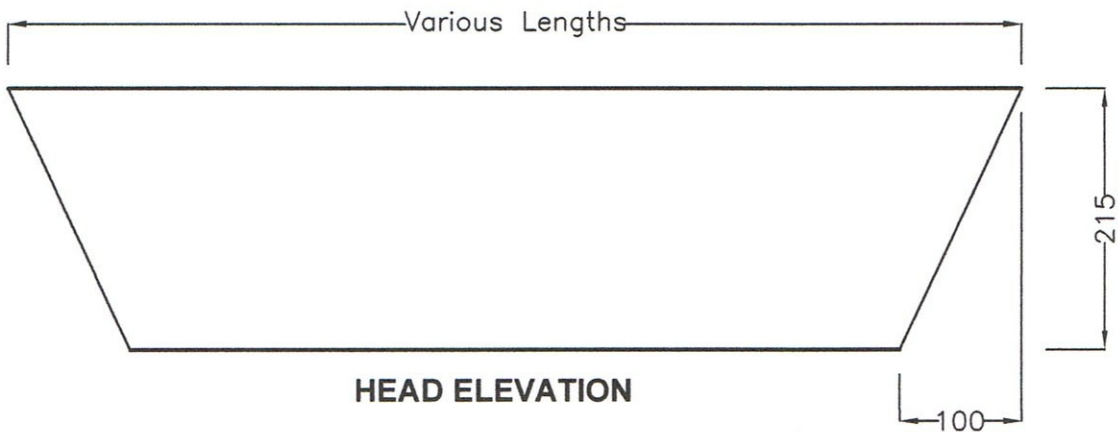
Description: Splayed Heads

Heads can be produced from standard moulds up to 1400mm in length.
Other Bespoke lengths can be produced upon request.
All sizes shown are in MM.

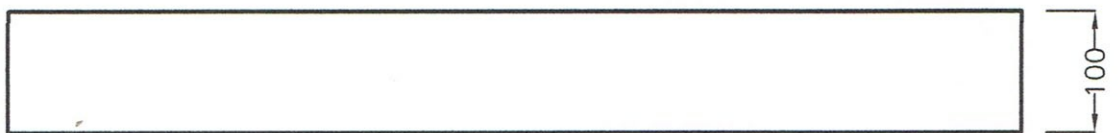
HEAD ISOMETRIC VIEW



HEAD PROFILE



HEAD ELEVATION



HEAD PLAN

Technical Sheet
SBD/DH4



Stone by Design

Supreme Manufacturers of High Quality Cast Stone

Unit 12 Brierley Industrial Park, Brierley Park Close
Sutton-in-Ashfield, Nottingham,
NG17 3JZ
01623 442 095
Enquiries@stonebydesign.co.uk