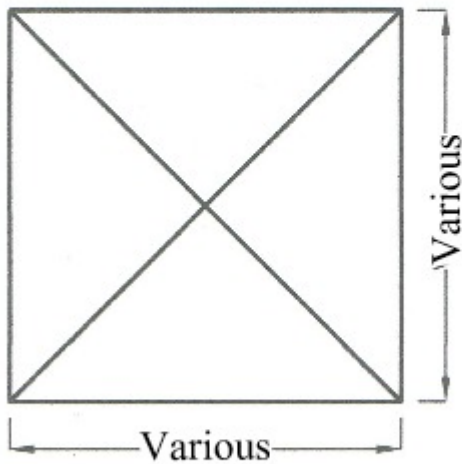
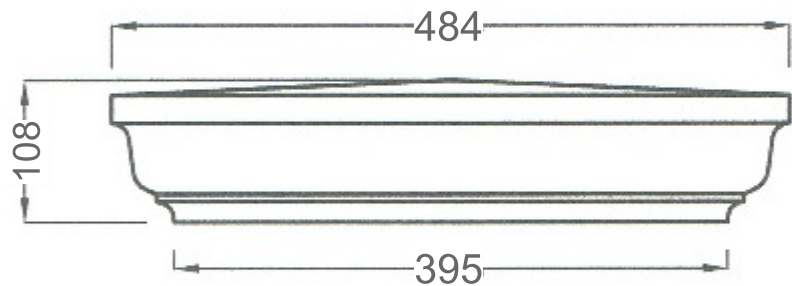


Description: Moulded Pier Caps

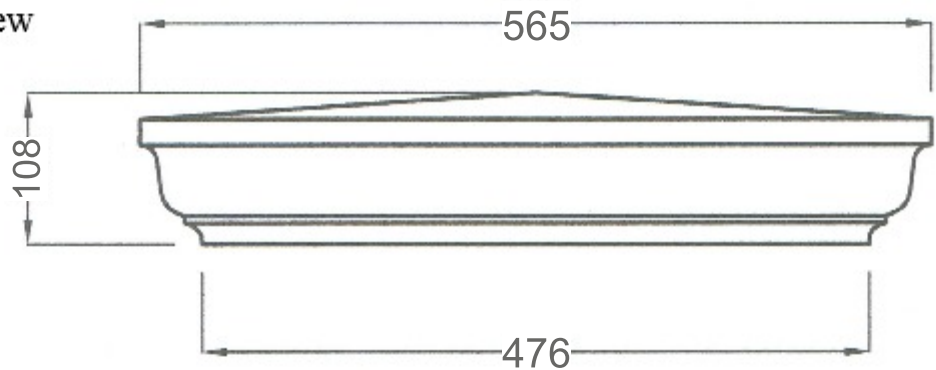
Pier Caps are supplied to suit individual pier dimensions, usually allowing for a 50mm overhang. Bespoke designs can be made on request. All sizes shown are in MM.



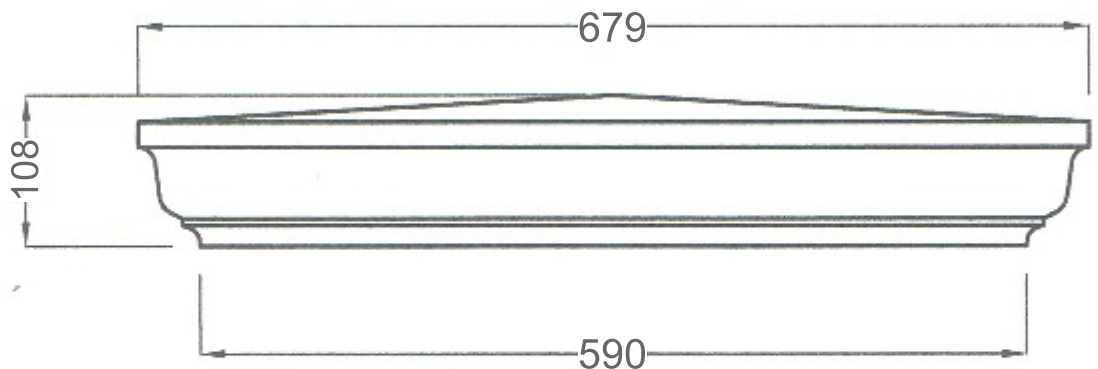
Moulded Cap Plan view



Moulded Cap PC6



Moulded Cap PC7



Moulded Cap PC8

Technical Sheet

SBD/PC6



Stone by Design

Supreme Manufacturers of High Quality Cast Stone

Unit 12 Brierley Industrial Park, Brierley Park Close
Sutton-in-Ashfield, Nottingham,
NG17 3JZ
01623 442 095
Enquiries@stonebydesign.co.uk