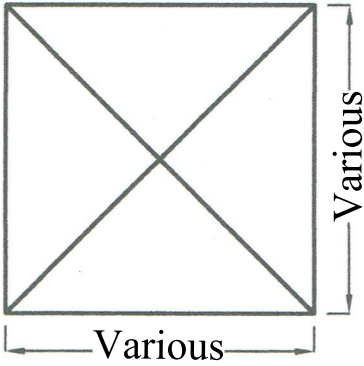
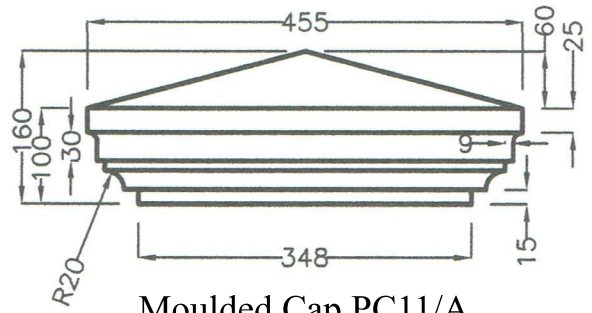


Description: Moulded Pier Caps

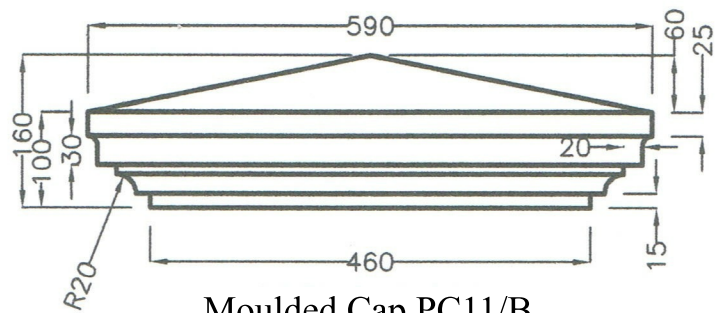
Pier Caps are supplied to suit individual pier dimensions, usually allowing for a 50mm overhang. Bespoke designs can be made on request. All sizes shown are in MM.



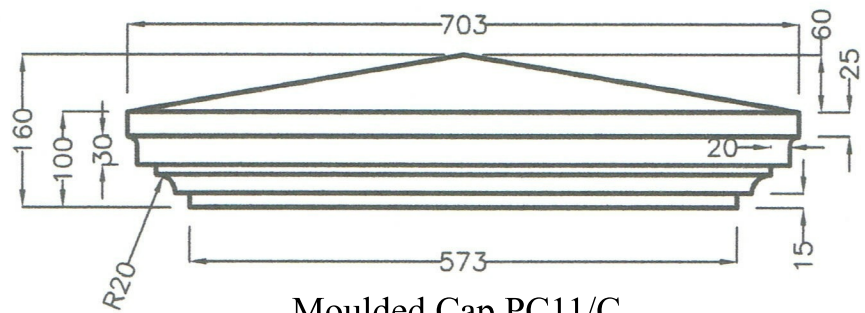
Moulded Cap Plan



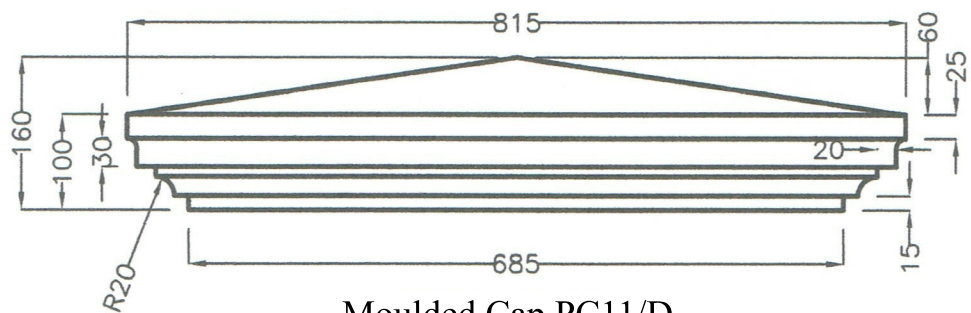
Moulded Cap PC11/A



Moulded Cap PC11/B



Moulded Cap PC11/C



Moulded Cap PC11/D

Technical Sheet

SBD/PC11



Stone by Design

Supreme Manufacturers of High Quality Cast Stone

Unit 12 Brierley Industrial Park, Brierley Park Close
Sutton-in-Ashfield, Nottingham,

NG17 3JZ

01623 442 095

Enquiries@stonebydesign.co.uk