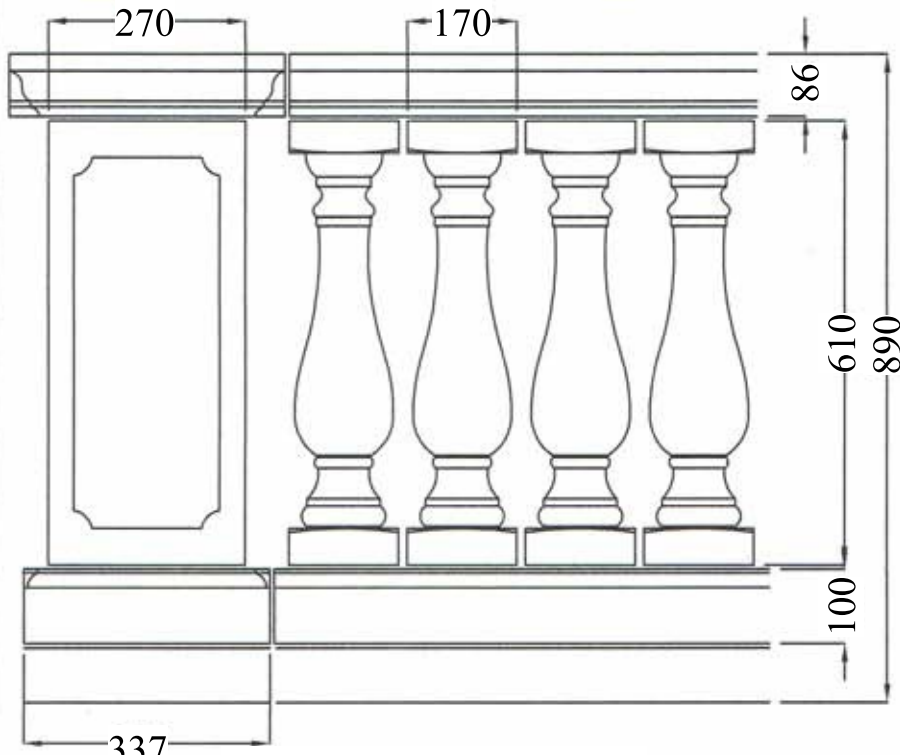
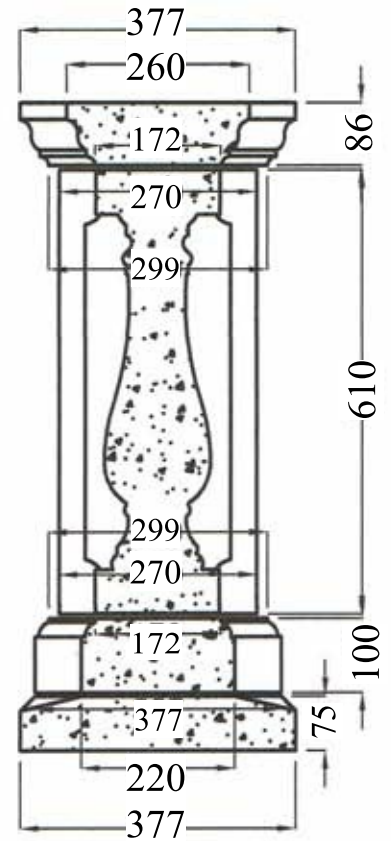


Description: Balustrade

Other Bespoke lengths can be produced upon request.
All sizes shown are in MM.



Balustrade Elevation



Balustrade Section

Technical Sheet
SBD/B1



Stone by Design

Supreme Manufacturers of High Quality Cast Stone

Unit 12 Brierley Industrial Park, Brierley Park Close
Sutton-in-Ashfield, Nottingham,
NG17 3JZ
01623 442 095
Enquiries@stonebydesign.co.uk